

FEATURES

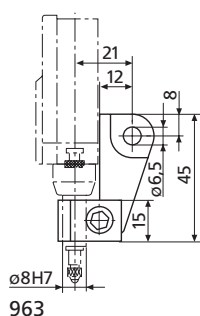
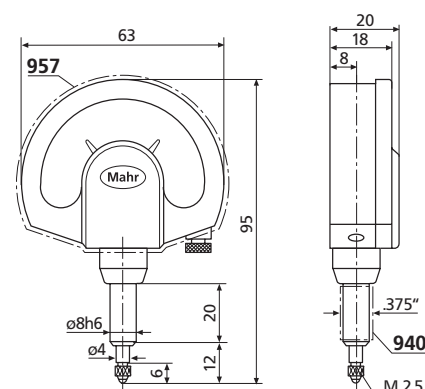
- Large, high contrast dial face
- Adjustable tolerance markers
- Lockable fine adjustment screw
- Shockproof movement
- Mounting shank and measuring spindle are both made of hardened stainless steel
- Measuring spindle is mounted in a high precision ball guide for minimal hysteresis
- Resistant to lateral forces (side play) acting on the measuring spindle
- Maximum sensitivity and accuracy are ensured by the jeweled movement in conjunction with the precision gears and pinions
- Box type protective housing
- Constant measuring force
- Measuring spindle can be retracted with either a screw in cable release or with a lifting knob
- Package contains: case



TECHNICAL DATA

Order no.	4332000	4332005	4330000	4330005
Product type	1010	1010 T	1050	1050 T
Measuring range	mm	±0.25		±1.5
Graduation value	mm	0.01		0.05
Type of dial face		25-0-25		15-0-15
Error limit G_e	μm	7		35
Error limit G_{ges}	μm	8		40
Error limit G_t	μm	4		24
Hysteresis f_u	μm	2		10
Repeatability f_w	μm	2		10
Standard		Factory standard		
Overtravel	mm	2.5		0.3
Measuring force	N		1	
Scale diameter	mm		50	
Dial color			White	
IP protection category:			IP 54	

Order no.	Mounting shaft	Scale diameter
	mm	mm
4332000	8	50
4332005	8	50
4330000	8	50
4330005	8	50



ACCESSORIES

Order no.	Product name	Product type
4310103	Adapter bushing (.375" / 8 mm)	940
4372000	Cable release (250 mm)	951
4372030	Lifting knob	954
4373030	Splash guard cover	957
4375002	Lug back to mount on mounting shank 8h6 mm	963