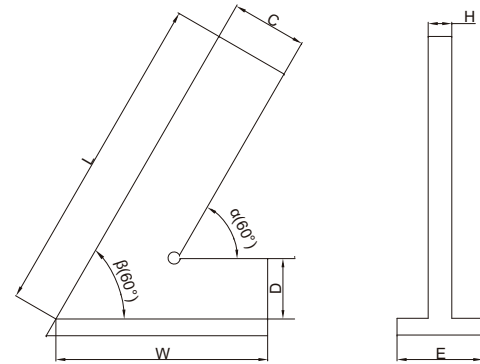


60° SQUARE WITH WIDE BASE



4762-100

(mm)

Code	Size (LxW)	Accuracy		C	D	H	E
		Inside (α)	Outside (β)				
4762-100	100x70mm	28 μ m	31 μ m	20	20	5	20
4762-120	120x80mm	30 μ m	33 μ m	20	20	5	20
4762-150	150x100mm	33 μ m	36 μ m	20	20	5	20
4762-200	200x130mm	37 μ m	41 μ m	25	25	5	25

- Made of hardened stainless steel