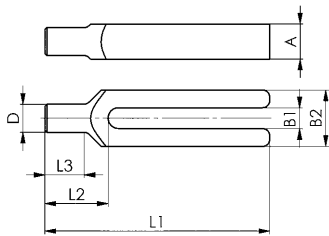


DIN 6315C

Forked clamp with pin end

Tempering steel, varnished.



Order no.	B1	L1	for clamping screw metric	for clamping screw inch	A	B2	D	L2	L3	Weight [g]
70706	9	100	M8	5/16	15	30	12	30	18	220
70714	11	125	M10	3/8	20	30	16	36	24	350
70722	14	160	M12 M14	1/2	25	40	20	45	30	750
70730	14	200	M12 M14	1/2	25	40	20	45	30	950
70748	18	200	M16 M18	5/8	30	50	24	55	36	1400
70755	18	250	M16 M18	5/8	30	50	24	55	36	1750
70763	22	250	M20 M22	3/4	40	60	30	65	45	2700
70771	22	315	M20 M22	3/4	40	60	30	65	45	3400
70789	26	250	M24	1	40	70	38	80	56	3200
70797	26	315	M24	1	40	70	38	80	56	4100
70805	33	315	M30	1 1/4	50	80	45	85	56	5700
70813	33	400	M30	1 1/4	50	80	45	85	56	7000

Recommendations



DIN 787,
page 82



DIN 508,
page 92



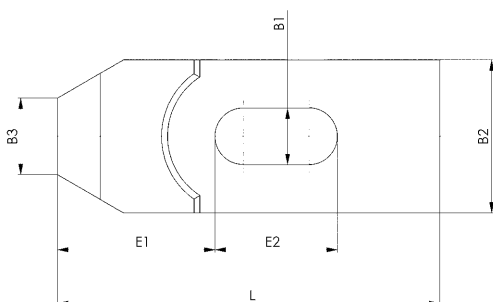
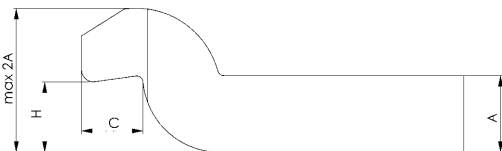
DIN 6331,
page 96



DIN 6316

Clamp, cranked

Tempering steel, varnished.



Order no.	B1	L	for clamping screw metric	for clamping screw inch	A	B2	B3	C	E1	E2	H	Weight [g]
71027	6,6	60	M6	1/4	10	20	10	8	22,0	20	9	81
71035	9	80	M8	5/16	12	25	12	9	27,5	25	11	166
71043	11	100	M10	3/8	15	30	15	12	36,0	32	14	299
71050	14	125	M12 M14	1/2	20	40	20	16	44,0	40	18	678
71068	18 *	125	M16 M18	5/8	25	50	25	20	51,5	40	23	1049
71076	18	160	M16 M18	5/8	25	50	25	20	51,5	50	23	1366
71084	22 *	160	M20 M22	3/4	30	60	30	24	59,0	55	27	1911
71092	22	200	M20 M22	3/4	30	60	30	24	59,0	70	27	2417
71100	26 *	200	M24	1	35	70	35	25	76,5	60	32	3315
71118	26	250	M24	1	35	70	35	25	76,5	80	32	4132
71126	33 *	250	M30	1 1/4	40	80	40	40	96,0	80	45	5225
71134	33	315	M30	1 1/4	50	80	40	40	96,0	100	45	8459
71159	43 *	400	M36 M42	1 1/2 1 5/8	60	100	50	50	105,0	120	55	17078

* Size not included in DIN, dimensions similar to DIN

Recommendations



DIN 787,
page 82



DIN 508,
page 92



DIN 6331,
page 96



Subject to technical alterations.