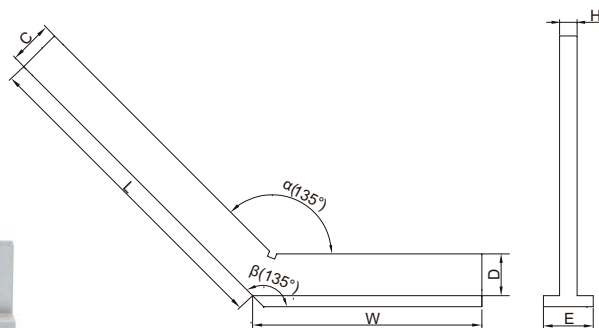


135° SQUARE WITH WIDE BASE



4754-3120



(mm)

Code	Size (LxW)	Accuracy		C	D	H	E
		Inside (α)	Outside (β)				
4754-3100	100x70mm	29 μ m	31 μ m	20	20	5	20
4754-3120	120x80mm	31 μ m	33 μ m	20	20	5	20
4754-3150	150x100mm	34 μ m	36 μ m	20	20	5	20
4754-3200	200x130mm	39 μ m	41 μ m	30	30	7	30
4754-3250	250x165mm	44 μ m	46 μ m	30	30	7	30
4754-3300	300x175mm	49 μ m	51 μ m	35	35	7	35

- Made of hardened stainless steel