

MarCal 16 EWR-V

Digital universal caliper

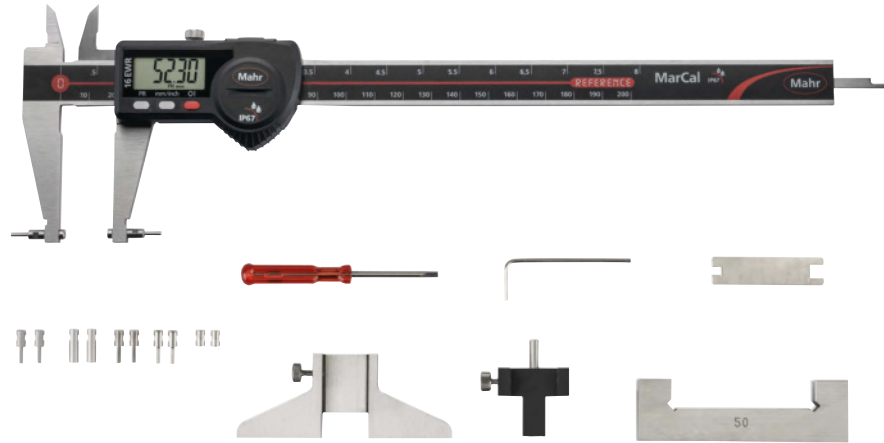


FUNCTIONS

- AUTO-ON / OFF
- DATA (data transmission via connection cable)
- ON/OFF
- PRESET (for entering a numerical value)
- RESET (set display to zero)
- mm/inch
- LOCK function (key lock)

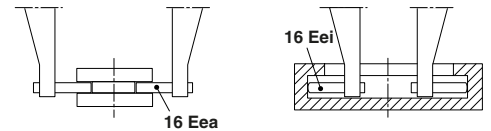
FEATURES

- High contrast digital display
- Locking screw above
- Lapped guideway
- Measuring blade for inside measurements
- Slide and beam made of hardened stainless steel
- Step measuring function
- Immediate measurements due to the Reference System
- Raised guideway for the protection of the scale
- Excellent resistance against dust, coolants and lubricants
- Dirt wipers are integrated in the slide
- **Software:** MarCom Professional free download: www.mahr.com/marcom (only for Mahr data cables and wireless systems with USB and RS-232 interface)
- **Digital height:** 8.5 mm
- **Data interface:** USB, Opto RS-232C, Digimatic
- **Energy supply:** Battery life approx. 3 years
- **Battery type:** CR 2032 (3V Lithium)
- **IP protection category:** IP 67
- **Package contains:** battery, instruction manual, case, setting gage for inside measurement 16 Eel, measuring force device 16 Ec, depth measuring bridge 16 Em, anvils for outside measurement 16 Eea 1-3, anvils for inside measurement 16Eei 1-3, 4118808 without measuring anvils, adjustment bridge and measuring force equipment



Applications:

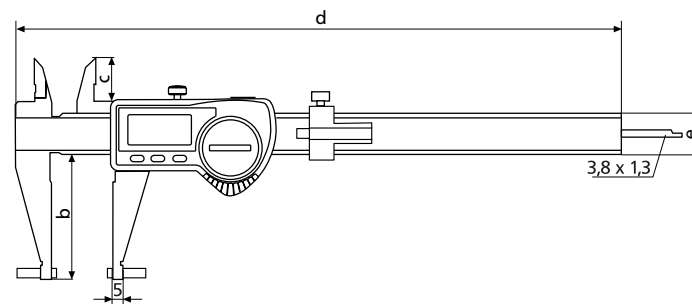
- Can be used as a standard caliper (four types of measurements) with standard accessories to measure recesses, grooves, etc.
- Can be used with additional accessories to measure threads, bores and serration



TECHNICAL DATA

Order no.	Type	Measuring range mm	Measuring range inch	Resolution mm/inch	Error limit mm	Standard	Depth rod	Accessories
4118807	16 EWR-V	0-200	0-8"	0.01 / .0005"	0.03	DIN 862	rectangular	•

Order no.	b	c	d	e
	mm	mm	mm	mm
4118807	48	16.5	285	16



ACCESSORIES

Order no.	Description	Quantity	unit	Type
4118810	Anvil for outside measurement (3.5 x 12 mm)	Piece		16 Eea 1
4118811	Anvil for outside measurement (1.5 x 6 mm)	Piece		16 Eea 2
4118812	Anvil for outside measurement (3.5 x 6 mm)	Piece		16 Eea 3
4118813	Anvil for inside measurement (3.5 x 6 mm)	Piece		16 Eei 1
4118814	Anvil for inside measurement (1.5 x 6 mm)	Piece		16 Eei 2
4118815	Anvil for inside measurement (3.5 x 6 mm)	Piece		16 Eei 3
4118816	Anvil for inside measurement (4 x 2.5 mm)	Piece		16 Eei 4
4118817	Setting gage for inside measurement (50 mm)			16 Eel
4118818	Measuring force device			16 Ec
4879602	Screws M2x8	Piece		
4118819	Mounting attachment for thread anvils 844 TG/844 Tr and ball anvils 844 Tk			16 Eab
4102020	Depth bridge (75 x 7 mm)			16 Em
4102357	16 EXu Data connection cable USB (2 m)			16 EXu
4102915	Interface adapter with data cable Digimatic			16 EWd
4102410	Data connection cable RS232C (2 m)			16 EXr

