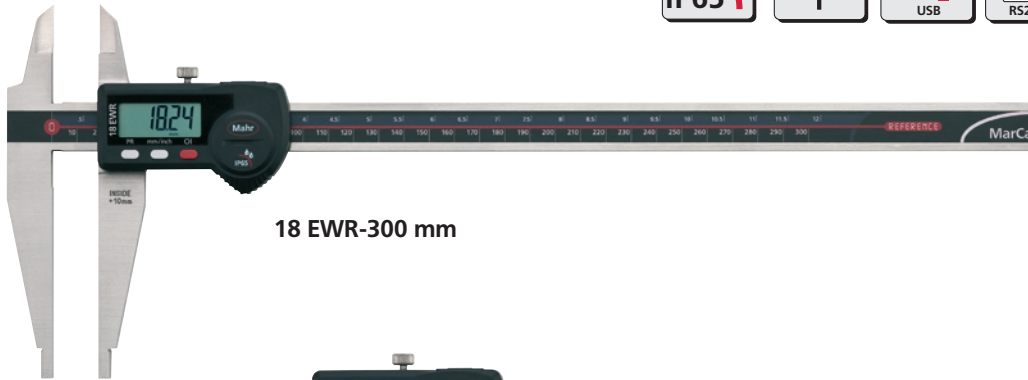
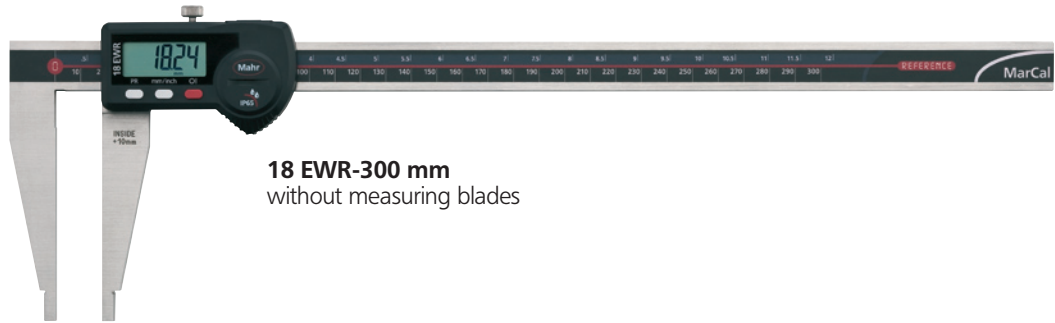


## Digital Caliper MarCal 18 EWR

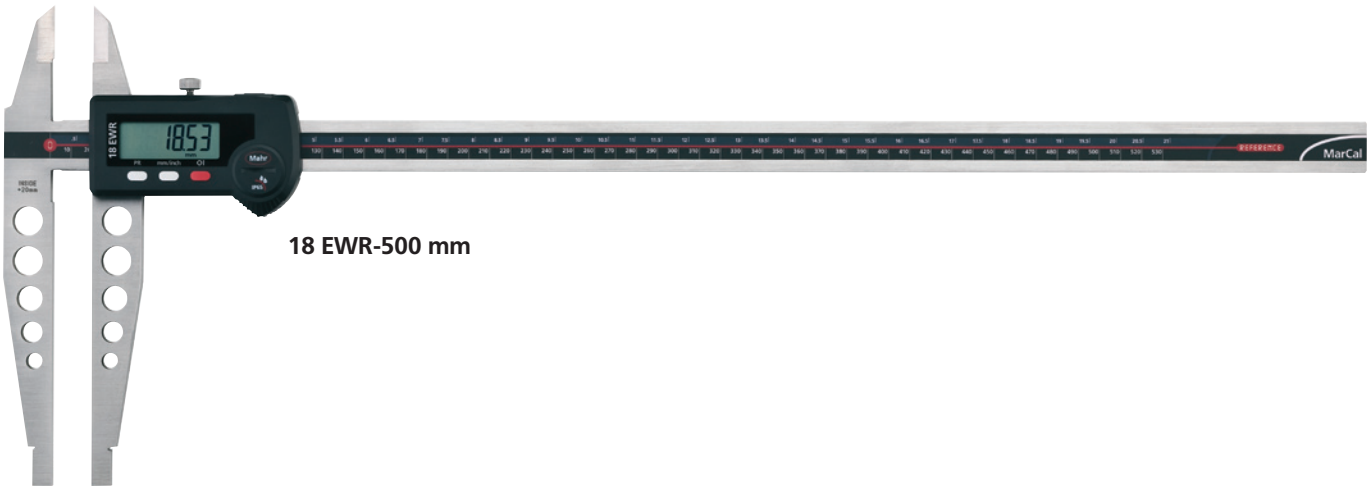
REFERENCE



18 EWR-300 mm



18 EWR-300 mm  
without measuring blades



18 EWR-500 mm

### Features

**Functions:**

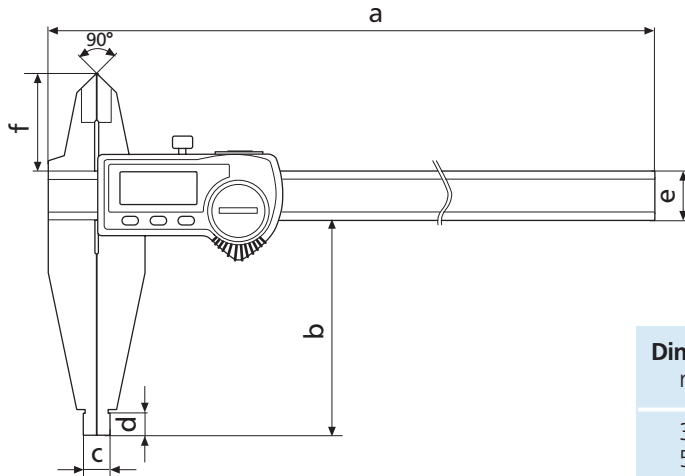
- ON/OFF
- RESET (Set display to zero) mm/inch
- Reference-Lock/Unlock
- PRESET (for entering a numerical value)
- DATA (Data transmission via connection cable)
- Auto-ON/OFF

- Immediate measurement due to the Reference system
- Excellent resistance against dust, coolants and lubricants, protection class IP65
- MarConnect data output, choose alternatively: USB, OPTO RS232C or Digimatic

- Dirt wipers are integrated in the slide
- Life of the battery up to 3 years
- Max measuring speed 2.5 m/s (100"/s)
- High contrast LCD with 10 mm (only 300 mm) and 12.5 mm high digits

- Slide and beam made of hardened stainless steel
- Rounded measuring blades for inside measurement
- Locking screw
- Supplied with: Case, battery, operating instructions

## Digital Caliper MarCal 18 EWR with measuring blades for outside measurement



Dimensions						
mm	a	b	c	d	e	f
300	410	90	10	10	20 x 4.5	40
500	650	150	20	20	25 x 5.5	55
750	905	150	20	20	25 x 5.5	55
1000	1165	150	20	20	30 x 6.5	60

### Technical Data

Measuring range		Resolution	Error limit G	Weight	Order no. with measuring blades	Weight	Order no. without measuring blades
mm	(inch)	mm / inch	mm	kg		kg	
300	(12")	0.01 / .0005"	0.03	0.45	<b>4112704</b>	0.44	<b>4112705</b>
500	(20")	0.01 / .0005"	0.04	1.10	<b>4112712</b>	1.00	<b>4112713</b>
750	(30")	0.01 / .0005"	0.05	1.35	<b>4112714</b>	1.28	<b>4112715</b>
1000	(40")	0.01 / .0005"	0.06	2.20	<b>4112716</b>	2.10	<b>4112717</b>

### Accessories

	Order no.
<b>Battery</b> 3V, Type CR 2032	<b>4102520</b>
<b>Data Connection Cable</b> USB (2 m)	<b>16 EXu 4102357</b>
<b>Data Connection Cable</b> Opto RS232C (2 m), with SUB-D jack 9-pin	<b>16 EXr 4102410</b>
<b>Data Connection Cable</b> Digimatic (2 m), Flat plug 10-pin	<b>16 EXd 4102411</b>

Accessories for Data Processing see Chapter 11